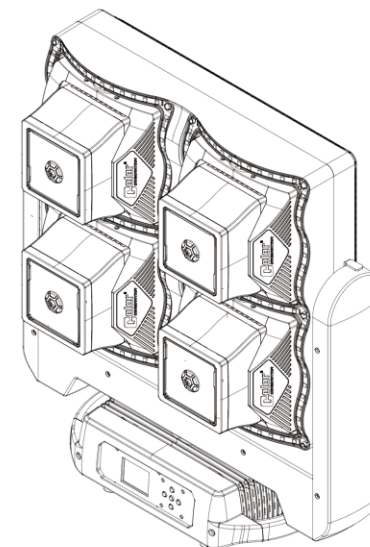


CC46 CRAZYCUBE 46



ADD F1-5, Block 3, No.95, Guangzhu Rd, Lanhe Town, Nansha District, Guangzhou 511480

Tel. +86 20 8499 2310/2320/2330

Fax +86 20 8499 2360

E-mail info@color-imagination.com

Website www.color-imagination.com

CE   IP20 t_a:40°C t_c:100°C

**Follow
us on**



www.facebook.com/color.imagination.1



www.youtube.com/user/colorimaginationj



https://twitter.com/Color_lighting

User Manual

KEEP THIS MANUAL FOR FUTURE NEEDS

1 SAFETY INSTRUCTIONS



CAUTION

Be careful with your operations. With a dangerous voltage you can suffer a dangerous electric shock when touching wires!

This device has left the factory in perfect condition. In order to maintain this condition and to ensure a safe operation, it is absolutely necessary for the user to follow the safety instructions and warning notes written in this user manual.



IMPORTANT

Damages caused by the disregard of this user manual are not subject to warranty. The dealer will not accept liability for any resulting defects or problems.

If the device has been exposed to temperature changes due to environmental changes, do not switch it on immediately. The arising condensation could damage the device. Leave the device switched off until it has reached room temperature.

This device falls under protection-class I. Therefore it is essential that the device be earthed.

The electric connection must carry out by qualified person.

The device shall only be used with rated voltage and frequency.

Make sure that the available voltage is not higher than stated at the end of this manual.

Make sure the power cord is never crimped or damaged by sharp edges. If this would be the case, replacement of the cable must be done by an authorized dealer.

Always disconnect from the mains, when the device is not in use or before cleaning it. Only handle the power cord by the plug. Never pull out the plug by tugging the power cord.

During initial start-up some smoke or smell may arise. This is a normal process and does not necessarily mean that the device is defective, it should decrease gradually.

Please don't project the beam onto combustible substances.

Fixtures cannot be installed on combustible substances, keep more than 50cm distance with wall for smooth air flow, so there should be no shelter for fans and ventilation for heat radiation.

If the external flexible cable or cord of this luminaire is damaged, it shall be exclusively replaced by the manufacturer or his service agent or a similar qualified person in order to avoid a hazard.

7 MAINTENANCE AND CLEANING

The following points have to be considered during the inspection:

- 1) All screws for installing the devices or parts of the device have to be tightly connected and must not be corroded.
- 2) There must not be any deformations on the housing, color lenses, fixations and installation spots (ceiling, suspension, trussing).
- 3) Mechanically moved parts must not show any traces of wearing and must not rotate with unbalances.
- 4) The electric power supply cables must not show any damage, material fatigue or sediments.

Further instructions depending on the installation spot and usage have to be adhered to by a skilled installer and any safety problems have to be removed.



CAUTION

Disconnect from mains before starting maintenance operation.



In order to make the lights in good condition and extend the life time, we suggest a regular cleaning to the lights.

- 1) Clean the inside and outside lens each week to avoid the weakness of the lights due to accumulation of dust.
- 2) Clean the fan each week.
- 3) A detailed electric check by approved electrical engineer each three months, make sure that the circuit contacts are in good condition, prevent the poor contact of circuit from overheating.

We recommend a frequent cleaning of the device. Please use a moist, lint-free cloth. Never use alcohol or solvents.

There are no serviceable parts inside the device. Please refer to the instructions under "Installation instructions".

Should you need any spare parts, please order genuine parts from your local dealer.

79	Speed (Preset Program)	000 - 124	Speed control of dynamic effect from fast to slow
		125 - 130	STOP
		131 - 255	Speed control of dynamic effect from slow to fast
80	Lamp head motor speed	000 - 255	The speed of the lamp head motor changes from slow to fast
81	STRIP LIGHT DIMMER (BIG HEAD)	000 - 255	Linear Dimmer 0 - 100%
82	STRIP LIGHT SHUTTER (BIG HEAD)	000 - 003	Light OFF
		004 - 103	Strobe frequency from slow (1 flash/sec) to fast (25 flash/sec)
		104 - 107	Light ON
		108 - 207	Pulsation frequency from slow (1 flash/sec) to fast (25 flash/sec)
		208 - 212	Light ON
		213 - 225	Random Strobe at low frequency
		226 - 238	Random Strobe at medium frequency
		239 - 251	Random Strobe at high frequency
252 - 255	Light ON		
83	STRIP LIGHT RED (BIG HEAD)	000 - 255	Linear 0 - 100%
84	STRIP LIGHT GREEN (BIG HEAD)	000 - 255	Linear 0 - 100%
85	STRIP LIGHT BLUE (BIG HEAD)	000 - 255	Linear 0 - 100%
86	STRIP LIGHT EFFECT (BIG HEAD)	0	No Function
		001 - 063	Effect 1
		064 - 127	Effect 2
		128 - 191	Effect 3
		192 - 255	Effect 4
87	STRIP LIGHT Speed (BIG HEAD)	000 - 255	Speed control of dynamic effect
88	RESET	000 - 025	No Function
		026 - 255	Complete Reset (5s)

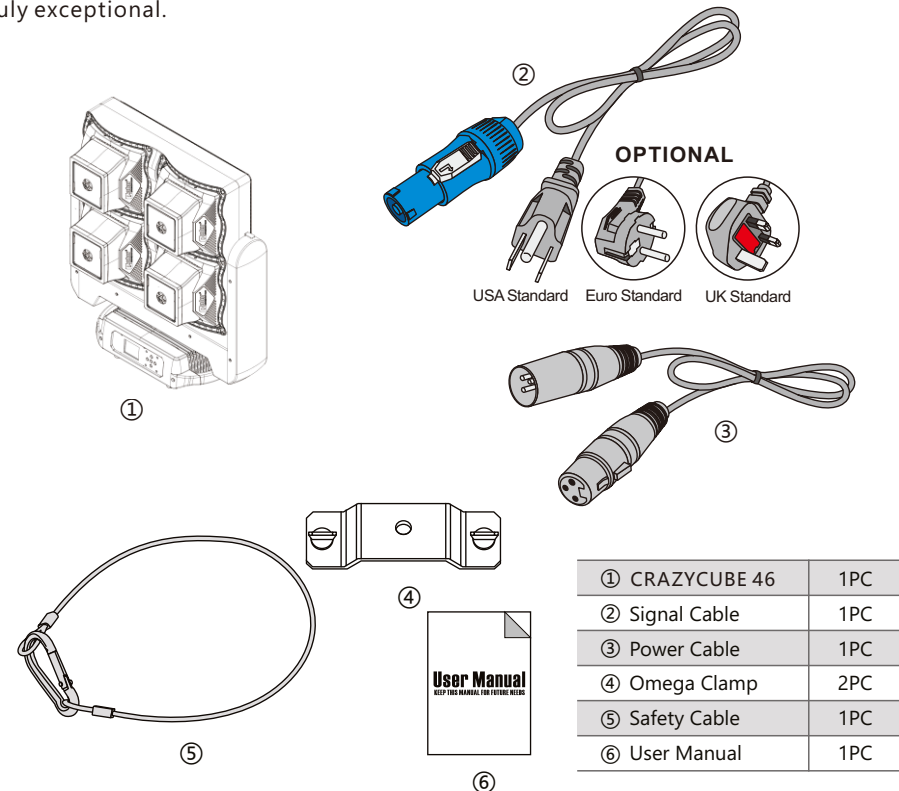
2 UNPACKING

Prepare to be captivated by the CRAZYCUBE 46, an unprecedented marvel in the world of stage lighting. It is a moving head light that stands as a mark to innovation, offering a light that has never before graced the market.

At its core, the CRAZYCUBE 46 is a beacon of creative exploration, thanks to its four individual mini moving heads. These heads produce a narrow angle beam effect (3.5°), casting a spotlight on your imagination. What sets this fixture apart is the unique ability to control each head individually for colors and PAN/TILT movement (76°), providing you with the ultimate canvas to craft your lighting masterpiece.

The heart of this extraordinary fixture lies in its 4*60W 4-IN-1 RGBW LED chips, heralding the zenith of lighting technology. These advanced light sources produce a radiant spectrum of colors, enabling you to paint your surroundings with rich, vibrant hues. From delicate pastels to intense, vivid tones, the CRAZYCUBE 46 opens up a world of possibilities.

In summary, the CRAZYCUBE 46 is a groundbreaking moving head light that redefines the art of lighting. It offers an unprecedented narrow angle beam effect, individual head control, continuous movement, and the brilliance of 60W 4-IN-1 RGBW LED chips. Elevate your lighting designs to new heights with a fixture that is truly exceptional.



3 FEATURES & SPECIFICATIONS

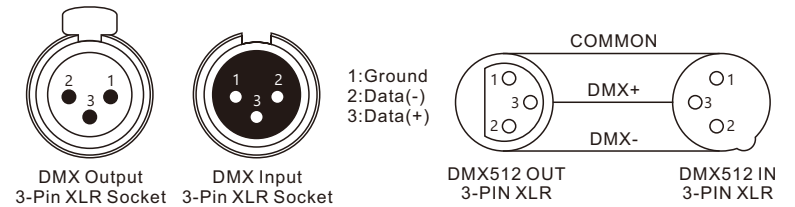
4*60W 4-IN-1 RGBW LEDs
 (4*30)*0.2W 3-IN-1 SMD RGB LEDs
 Flicker free operation for broadcast TV and FILM
 Life Span: 50000H
 High efficiency lens
 3.5° Projection angle
 Sharp and clear beam effect
 The complete head:
 PAN: 2 modes
 1. 360° Continuous movement
 2. 540° (8/16 bit)
 TILT: 2 modes
 1. 360° Continuous movement
 2. 270° (8/16 bit)
 Each mini head:
 PAN movement: 76° (8/16 bit)
 TILT movement: 76° (8/16 bit)
 Fast, quiet, smooth and precise 2-phase motors
 Smooth, fast and precise resolution for movement with low noise operation
 Scan position memory, auto reposition after unexpected movement
 Sophisticated 4 colors RGBW mixed
 Linear CTO 2500-8000K
 Preset static patterns
 Preset dynamic patterns with variable speed
 Preset dynamic color macro with variable speed
 Brilliant and magic trip effect with different built-in macros
 (variable speed control)
 1-25Hz shutter/strobe effect with variable speed
 Preset pulse strobe effect with variable speed
 Random strobe effect with variable speed
 0-100% Smooth linear LED dimming
 37/88 DMX channels USITT DMX-512
 DMX512, master-slave, sound activated or auto operation
 DMX recorder and edit function integrated
 RDM available (Remote Device Management)
 Shielded input signal protection for stable signal without interference
 3-Pin XLR connectors IN/OUT
 -25°C to 45°C ambient temperature
 IP20 protection rating

60	STRIP LIGHT Speed (MINI HEAD 3)	000 - 255	Speed control of dynamic effect
61	PAN (MINI HEAD 4)	000 - 255	0-76° PAN movement
62	PAN FINE (MINI HEAD 4)	000 - 255	Fine control of PAN movement
63	TILT (MINI HEAD 4)	000 - 255	0-76° TILT movement
64	TILT FINE (MINI HEAD 4)	000 - 255	Fine control of TILT movement
65	RED (MINI HEAD 4)	000 - 255	Linear 0 -100%
66	GREEN (MINI HEAD 4)	000 - 255	Linear 0 -100%
67	BLUE (MINI HEAD 4)	000 - 255	Linear 0 -100%
68	WHITE (MINI HEAD 4)	000 - 255	Linear 0 -100%
69	CTO (MINI HEAD 4)	000 - 009	CTO OFF
		010 - 255	8500K to 2800K
70	MACRO COLOUR (MINI HEAD 4)	0	No Function
		001 - 255	MACRO COLOUR
71	STRIP LIGHT DIMMER (MINI HEAD 4)	000 - 255	Linear Dimmer 0 – 100%
72	STRIP LIGHT SHUTTER (MINI HEAD 4)	000 - 003	Light OFF
		004 - 103	Strobe frequency from slow (1 flash/sec) to fast (25 flash/sec)
		104 - 107	Light ON
		108 - 207	Pulsation frequency from slow (1 flash/sec) to fast (25 flash/sec)
		208 - 212	Light ON
		213 - 225	Random Strobe at low frequency
		226 - 238	Random Strobe at medium frequency
		239 - 251	Random Strobe at high frequency
252 - 255	Light ON		
73	STRIP LIGHT RED (MINI HEAD 4)	000 - 255	Linear 0 -100%
74	STRIP LIGHTGREEN (MINI HEAD 4)	000 - 255	Linear 0 -100%
75	STRIP LIGHT BLUE (MINI HEAD 4)	000 - 255	Linear 0 -100%
76	STRIP LIGHT EFFECT (MINI HEAD 4)	0	No Function
		001 - 063	Effect 1
		064 - 127	Effect 2
		128 - 191	Effect 3
192 - 255	Effect 4		
77	STRIP LIGHT Speed (MINI HEAD 4)	000 - 255	Speed control of dynamic effect
78	Preset Program	000 - 005	OFF
		006 - 130	Static pattern effect
		131 - 139	Dynamic pattern effect 1
		140 - 148	Dynamic pattern effect 2
		149 - 157	Dynamic pattern effect 3
		158 - 166	Dynamic pattern effect 4
		167 - 175	Dynamic pattern effect 5
		176 - 184	Dynamic pattern effect 6
		185 - 193	Dynamic pattern effect 1
		194 - 202	Dynamic pattern effect 2
		203 - 211	Dynamic pattern effect 3
		212 - 220	Dynamic pattern effect 4
		221 - 229	Dynamic pattern effect 5
		230 - 238	Dynamic pattern effect 6
		239 - 247	Dynamic pattern effect 7
247 - 255	Dynamic pattern effect 8		

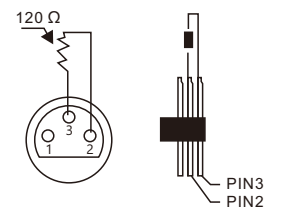
39	STRIP LIGHT RED (MINI HEAD 2)	000 - 255	Linear 0 -100%
40	STRIP LIGHTGREEN (MINI HEAD 2)	000 - 255	Linear 0 -100%
41	STRIP LIGHT BLUE (MINI HEAD 2)	000 - 255	Linear 0 -100%
42	STRIP LIGHT EFFECT (MINI HEAD 2)	0	No Function
		001 - 063	Effect 1
		064 - 127	Effect 2
		128 - 191	Effect 3
		192 - 255	Effect 4
43	STRIP LIGHT Speed (MINI HEAD 2)	000 - 255	Speed control of dynamic effect
44	PAN (MINI HEAD 3)	000 - 255	0-76° PAN movement
45	PAN FINE (MINI HEAD 3)	000 - 255	Fine control of PAN movement
46	TILT (MINI HEAD 3)	000 - 255	0-76° TILT movement
47	TILT FINE (MINI HEAD 3)	000 - 255	Fine control of TILT movement
48	RED (MINI HEAD 3)	000 - 255	Linear 0 -100%
49	GREEN (MINI HEAD 3)	000 - 255	Linear 0 -100%
50	BLUE (MINI HEAD 3)	000 - 255	Linear 0 -100%
51	WHITE (MINI HEAD 3)	000 - 255	Linear 0 -100%
52	CTO (MINI HEAD 3)	000 - 009	CTO Off
		010 - 255	8500K to 2800K
53	MACRO COLOUR (MINI HEAD 3)	0	No Function
		001 - 255	MACRO COLOUR
54	STRIP LIGHT DIMMER (MINI HEAD 3)	000 - 255	Linear Dimmer 0 – 100%
55	STRIP LIGHT SHUTTER (MINI HEAD 3)	000 - 003	Light OFF
		004 - 103	Strobe frequency from slow (1 flash/sec) to fast (25 flash/sec)
		104 - 107	Light ON
		108 - 207	Pulsation frequency from slow (1 flash/sec) to fast (25 flash/sec)
		208 - 212	Light ON
		213 - 225	Random Strobe at low frequency
		226 - 238	Random Strobe at medium frequency
		239 - 251	Random Strobe at high frequency
		252 - 255	Light ON
56	STRIP LIGHT RED (MINI HEAD 3)	000 - 255	Linear 0 -100%
57	STRIP LIGHTGREEN (MINI HEAD 3)	000 - 255	Linear 0 -100%
58	STRIP LIGHT BLUE (MINI HEAD 3)	000 - 255	Linear 0 -100%
59	STRIP LIGHT EFFECT (MINI HEAD 3)	0	No Function
		001 - 063	Effect 1
		064 - 127	Effect 2
		128 - 191	Effect 3
		192 - 255	Effect 4

4 DMX-512 CONTROL CONNECTIONS

Connect the provided XLR cable to the female 3-pin XLR output of your controller and the other side to the male 3-pin XLR input of the moving head. You can chain multiple Moving head together through serial linking. The cable needed should be two core, screened cable with XLR input and output connectors. Please refer to the diagram below.
DMX-512 connection with DMX terminator



For installations where the DMX cable has to run a long distance or is in an electrically noisy environment, such as in a discotheque, it is recommended to use a DMX terminator. This helps in preventing corruption of the digital control signal by electrical noise. The DMX terminator is simply an XLR plug with a 120 Ω resistor connected between pins 2 and 3, which is then plugged into the output XLR socket of the last fixture in the chain. Please see illustrations below.



5 MENU OPERATIONS

Main Menu	Second	Third	Fourth	
Dmx Address	000 - 512			
Fixture	Dmx Mode	STD / EXT		
	Run Mode	DMX / Host		
	Pan Invert	Close / Open		
	Tilt Invert	Close / Open		
Manual	Pan	000 - 255		
	Pan Fine	000 - 255		
	Tilt	000 - 255		
	Tilt Fine	000 - 255		
		
Information	Time	Current Time	xxxH	
		Total Time	xxxH	
	Sensor	All Sensor are ok!		
		Temperature	Head Temp	xxx°C
		Software Version	Panel	Vx.xx
Factory	Password	000 - 255		
	Pan	000 - 255		
	Tilt	000 - 255		
		
Fixture Reset	Motor Reset	Cance / Run		
	Factory	Cance / Run		
Display	Language	CH / EN		
	Display Flip	Normal / Reverse		
	Display Mode	60s / Show		

21	STRIP LIGHT SHUTTER (MINI HEAD 1)	000 - 003	Light OFF
		004 - 103	Strobe frequency from slow (1 flash/sec) to fast (25 flash/sec)
		104 - 107	Light ON
		108 - 207	Pulsation frequency from slow (1 flash/sec) to fast (25 flash/sec)
		208 - 212	Light ON
		213 - 225	Random Strobe at low frequency
		226 - 238	Random Strobe at medium frequency
		239 - 251	Random Strobe at high frequency
		252 - 255	Light ON
22	STRIP LIGHT RED (MINI HEAD 1)	000 - 255	Linear 0 -100%
23	STRIP LIGHTGREEN (MINI HEAD 1)	000 - 255	Linear 0 -100%
24	STRIP LIGHT BLUE (MINI HEAD 1)	000 - 255	Linear 0 -100%
25	STRIP LIGHT EFFECT (MINI HEAD 1)	0	No Function
		001 - 063	Effect 1
		064 - 127	Effect 2
		128 - 191	Effect 3
		192 - 255	Effect 4
26	STRIP LIGHT Speed (MINI HEAD 1)	000 - 255	Speed control of dynamic effect
27	PAN (MINI HEAD 2)	000 - 255	0-76° PAN movement
28	PAN FINE (MINI HEAD 2)	000 - 255	Fine control of PAN movement
29	TILT (MINI HEAD 2)	000 - 255	0-76° TILT movement
30	TILT FINE (MINI HEAD 2)	000 - 255	Fine control of TILT movement
31	RED (MINI HEAD 2)	000 - 255	Linear 0 -100%
32	GREEN (MINI HEAD 2)	000 - 255	Linear 0 -100%
33	BLUE (MINI HEAD 2)	000 - 255	Linear 0 -100%
34	WHITE (MINI HEAD 2)	000 - 255	Linear 0 -100%
35	CTO (MINI HEAD 2)	000 - 009	CTO Off
		010 - 255	8500K to 2800K
36	MACRO COLOUR (MINI HEAD 2)	0	No Function
		001 - 255	MACRO COLOUR
37	STRIP LIGHT DIMMER (MINI HEAD 2)	000 - 255	Linear Dimmer 0 - 100%
38	STRIP LIGHT SHUTTER (MINI HEAD 2)	000 - 003	Light OFF
		004 - 103	Strobe frequency from slow (1 flash/sec) to fast (25 flash/sec)
		104 - 107	Light ON
		108 - 207	Pulsation frequency from slow (1 flash/sec) to fast (25 flash/sec)
		208 - 212	Light ON
		213 - 225	Random Strobe at low frequency
		226 - 238	Random Strobe at medium frequency
		239 - 251	Random Strobe at high frequency
		252 - 255	Light ON

88CH	Function	Dmx Value	Description
1	PAN	000 - 255	0-540° PAN movement
2	PAN FINE	000 - 255	Fine control of PAN movement
3	TILT	000 - 255	0-270° TILT movement
4	TILT FINE	000 - 255	Fine control of TILT movement
5	SPEED	000 - 255	Speed control of PAN/TILT movement
6	PAN ROTATION	000 - 003	No Function
		004 - 129	Forward rotation from fast to slow
		130 - 255	Backward rotation from slow to fast
7	TILT ROTATION	000 - 003	No Function
		004 - 129	Forward rotation from fast to slow
		130 - 255	Backward rotation from slow to fast
8	DIMMER	000 - 255	Linear Dimmer 0 – 100%
9	MASTER SHUTTER	000 - 003	Light OFF
		004 - 103	Strobe frequency from slow (1 flash/sec) to fast (25 flash/sec)
		104 - 107	Light ON
		108 - 207	Pulsation frequency from slow (1 flash/sec) to fast (25 flash/sec)
		208 - 212	Light ON
		213 - 225	Random Strobe at low frequency
		226 - 238	Random Strobe at medium frequency
		239 - 251	Random Strobe at high frequency
252 - 255	Light ON		
10	PAN (MINI HEAD 1)	000 - 255	0-76° PAN movement
11	PAN FINE (MINI HEAD 1)	000 - 255	Fine control of PAN movement
12	TILT (MINI HEAD 1)	000 - 255	0-76° TILT movement
13	TILT FINE (MINI HEAD 1)	000 - 255	Fine control of TILT movement
14	RED (MINI HEAD 1)	000 - 255	Linear 0 -100%
15	GREEN (MINI HEAD 1)	000 - 255	Linear 0 -100%
16	BLUE (MINI HEAD 1)	000 - 255	Linear 0 -100%
17	WHITE (MINI HEAD 1)	000 - 255	Linear 0 -100%
18	CTO (MINI HEAD 1)	000 - 009	CTO Off
		010 - 255	8500K to 2800K
19	MACRO COLOUR (MINI HEAD 1)	0	No Function
		001 - 255	MACRO COLOUR
20	STRIP LIGHT DIMMER (MINI HEAD 1)	000 - 255	Linear Dimmer 0 – 100%

6 DMX CHANNELS

37CH	Function	Dmx Value	Description
1	PAN	000 - 255	0-540° PAN movement
2	PAN FINE	000 - 255	Fine control of PAN movement
3	TILT	000 - 255	0-270° TILT movement
4	TILT FINE	000 - 255	Fine control of TILT movement
5	SPEED	000 - 255	Speed control of PAN/TILT movement
6	PAN ROTATION	000 - 003	No Function
		004 - 129	Forward rotation from fast to slow
		130 - 255	Backward rotation from slow to fast
7	TILT ROTATION	000 - 003	No Function
		004 - 129	Forward rotation from fast to slow
		130 - 255	Backward rotation from slow to fast
8	DIMMER	000 - 255	Linear Dimmer 0 – 100%
9	MASTER SHUTTER	000 - 003	Light OFF
		004 - 103	Strobe frequency from slow (1 flash/sec) to fast (25 flash/sec)
		104 - 107	Light ON
		108 - 207	Pulsation frequency from slow (1 flash/sec) to fast (25 flash/sec)
		208 - 212	Light ON
		213 - 225	Random Strobe at low frequency
		226 - 238	Random Strobe at medium frequency
		239 - 251	Random Strobe at high frequency
252 - 255	Light ON		
10	PAN (MINI HEAD)	000 - 255	0-76° PAN movement
11	PAN FINE (MINI HEAD)	000 - 255	Fine control of PAN movement
12	TILT (MINI HEAD)	000 - 255	0-76° TILT movement
13	TILT FINE (MINI HEAD)	000 - 255	Fine control of TILT movement
14	RED	000 - 255	Linear 0 -100%
15	GREEN	000 - 255	Linear 0 -100%
16	BLUE	000 - 255	Linear 0 -100%
17	WHITE	000 - 255	Linear 0 -100%

18	CTO	000 - 009	CTO Off
		010 - 255	8500K to 2800K
19	MACRO COLOUR	0	No Function
		001 - 255	MACRO COLOUR
20	STRIP LIGHT DIMMER (MINI HEAD)	000 - 255	Linear Dimmer 0 – 100%
21	STRIP LIGHT SHUTTER (MINI HEAD)	000 - 003	Light OFF
		004 - 103	Strobe frequency from slow (1 flash/sec) to fast (25 flash/sec)
		104 - 107	Light ON
		108 - 207	Pulsation frequency from slow (1 flash/sec) to fast (25 flash/sec)
		208 - 212	Light ON
		213 - 225	Random Strobe at low frequency
		226 - 238	Random Strobe at medium frequency
		239 - 251	Random Strobe at high frequency
252 - 255	Light ON		
22	STRIP LIGHT RED (MINI HEAD)	000 - 255	Linear 0 -100%
23	STRIP LIGHTGREEN (MINI HEAD)	000 - 255	Linear 0 -100%
24	STRIP LIGHT BLUE (MINI HEAD)	000 - 255	Linear 0 -100%
25	STRIP LIGHT EFFECT (MINI HEAD)	0	No Function
		001 - 063	Effect 1
		064 - 127	Effect 2
		128 - 191	Effect 3
		192 - 255	Effect 4
26	STRIP LIGHT Speed (MINI HEAD)	000 - 255	Speed control of dynamic effect
27	Preset Program	000 - 005	OFF
		006 - 130	Static pattern effect
		131 - 139	Dynamic pattern effect 1
		140 - 148	Dynamic pattern effect 2
		149 - 157	Dynamic pattern effect 3
		158 - 166	Dynamic pattern effect 4
		167 - 175	Dynamic pattern effect 5
		176 - 184	Dynamic pattern effect 6
		185 - 193	Dynamic pattern effect 1
		194 - 202	Dynamic pattern effect 2

		203 - 211	Dynamic pattern effect 3
		212 - 220	Dynamic pattern effect 4
		221 - 229	Dynamic pattern effect 5
		230 - 238	Dynamic pattern effect 6
		239 - 247	Dynamic pattern effect 7
		247 - 255	Dynamic pattern effect 8
28	Speed (Preset Program)	000 - 124	Speed control of dynamic effect from fast to slow
		125 - 130	STOP
		131 - 255	Speed control of dynamic effect from slow to fast
29	Lamp head motor speed	000 - 255	The speed of the lamp head motor changes from slow to fast
30	STRIP LIGHT DIMMER (BIG HEAD)	000 - 255	Linear Dimmer 0 – 100%
31	STRIP LIGHT SHUTTER (BIG HEAD)	000 - 003	Light OFF
		004 - 103	Strobe frequency from slow (1 flash/sec) to fast (25 flash/sec)
		104 - 107	Light ON
		108 - 207	Pulsation frequency from slow (1 flash/sec) to fast (25 flash/sec)
		208 - 212	Light ON
		213 - 225	Random Strobe at low frequency
		226 - 238	Random Strobe at medium frequency
		239 - 251	Random Strobe at high frequency
252 - 255	Light ON		
32	STRIP LIGHT RED (BIG HEAD)	000 - 255	Linear 0 -100%
33	STRIP LIGHTGREEN (BIG HEAD)	000 - 255	Linear 0 -100%
34	STRIP LIGHT BLUE (BIG HEAD)	000 - 255	Linear 0 -100%
35	STRIP LIGHT EFFECT (BIG HEAD)	0	No Function
		001 - 063	Effect 1
		064 - 127	Effect 2
		128 - 191	Effect 3
		192 - 255	Effect 4
36	STRIP LIGHT Speed (BIG HEAD)	000 - 255	Speed control of dynamic effect
37	RESET	000 - 025	No Function
		026 - 255	Complete Reset (5s)